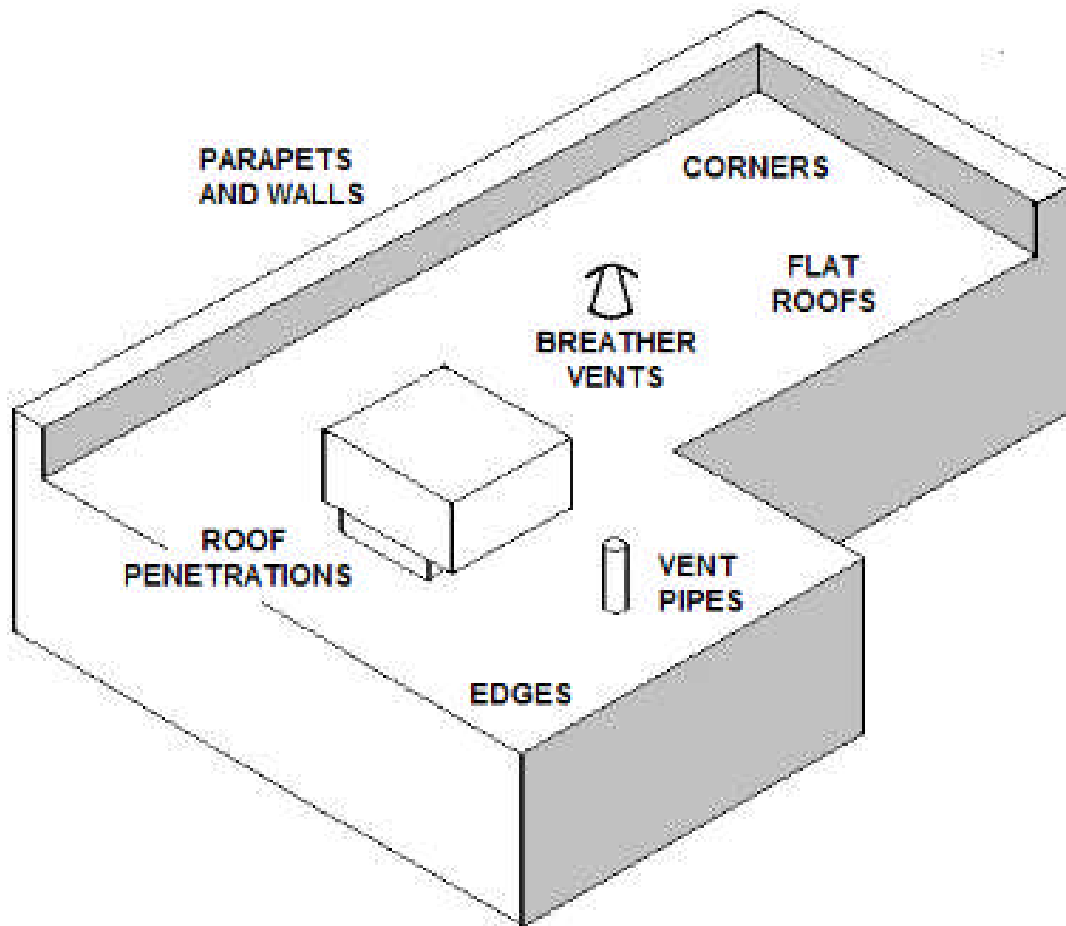


# MASTER-SEAL ROOFING SYSTEM

## INSTALLATION SPECIFICATIONS

### CONCRETE FLAT ROOFS



**NOTE:**  
FOR THE INSTALLATION OVER ASPHALT OR OTHER  
TYPE OF ROOF SURFACE, CONSULT THE  
MANUFACTURER.

APPROVED BY:  
FELIX ALBERT, P.E.

DRAWING NO.  
MS ID-01

DATE:  
APRIL 2006

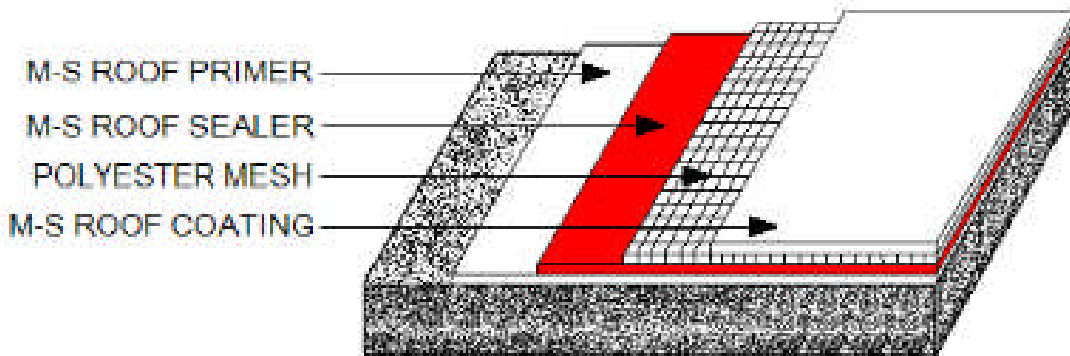


INDUSTRIAL ROOFING, INC.  
19TH ST. PALMAS IND. PARK  
CATANO, PR 00962  
(787) 788-6940

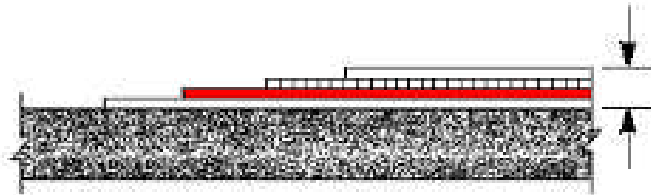
# MASTER-SEAL ROOFING SYSTEM

## INSTALLATION SPECIFICATIONS

### STANDARD



CONCRETE SURFACE



AVERAGE OVERALL DRY FILM THICKNESS:

- SINGLE MESH: 55 MILS
- DOUBLE MESH: 75 MILS

#### APPLICATION RATES:

- M-S ROOF PRIMER, 100 SQ. FT. / GAL.
- M-S ROOF SEALER, 60 SQ. FT. / GAL. (OVERALL)
- M-S ROOF COATING
  - SINGLE MESH, 35 SQ. FT./GAL. (OVERALL)
  - DOUBLE MESH, 25 SQ. FT./GAL. (OVERALL)

NOTE:  
APPLICATION RATES ARE BASED ON CONCRETE SURFACES. OTHER SUBSTRATES MAY REQUIRE DIFFERENT RATES. CONSULT MANUFACTURER.

APPROVED BY:  
FELIX ALBERT, P.E.

DRAWING NO.  
MS ID-02

DATE:  
APRIL 2006



INDUSTRIAL ROOFING, INC.  
19TH ST. PALMAS IND. PARK  
CATANO, PR 00962  
(787) 788-6940

# MASTER-SEAL ROOFING SYSTEM

## INSTALLATION SPECIFICATIONS

### ROOF EDGES



APPROVED BY:  
FELIX ALBERT, P.E.

DRAWING NO.  
MS ID-03

DATE:  
APRIL 2005

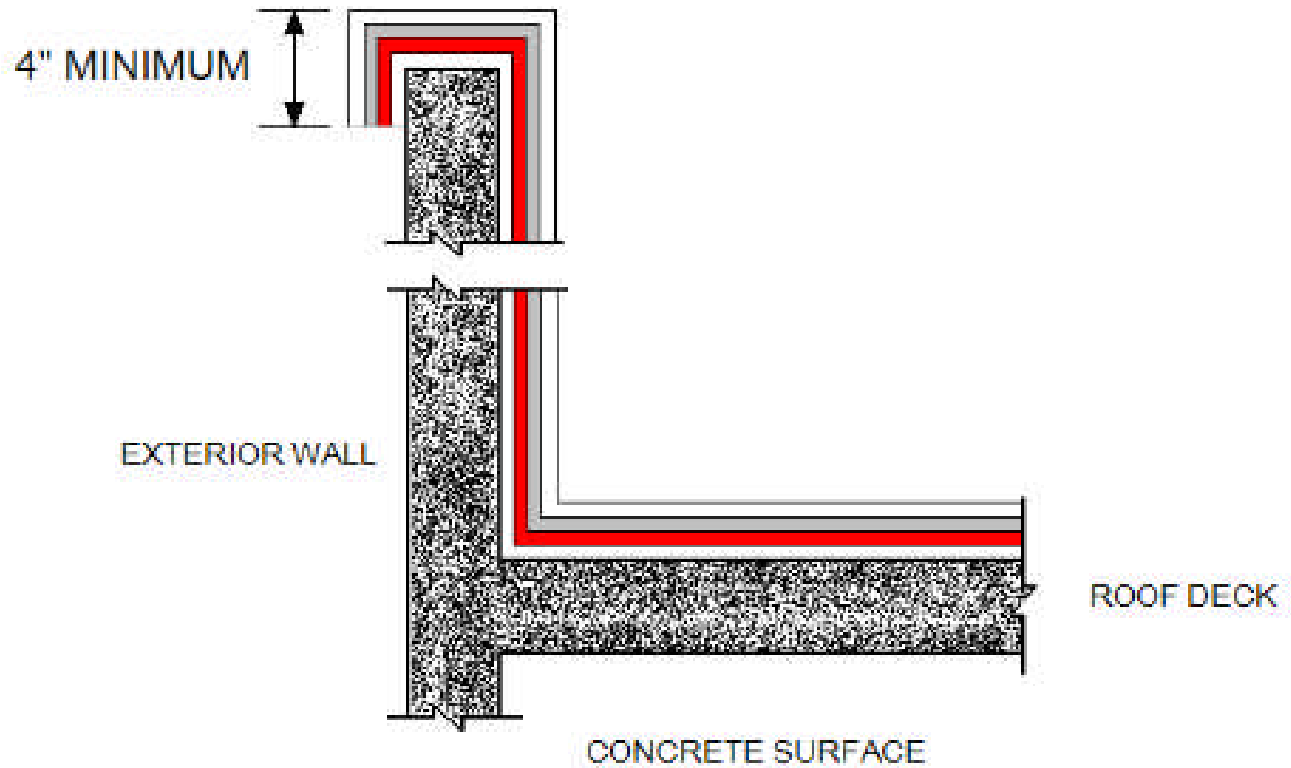


INDUSTRIAL ROOFING, INC.  
19TH ST. PALMAS IND. PARK  
CATANO, PR 00962  
(787) 788-6940

# MASTER-SEAL ROOFING SYSTEM

## INSTALLATION SPECIFICATIONS

### PARAPETS



APPROVED BY:  
FELIX ALBERT, P.E.

DRAWING NO.  
MS ID-04

DATE:  
APRIL 2005

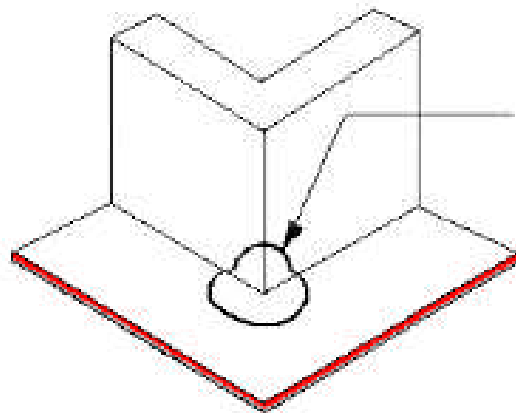


INDUSTRIAL ROOFING, INC.  
19TH ST. PALMAS IND. PARK  
CATANO, PR 00962  
(787) 788-6940

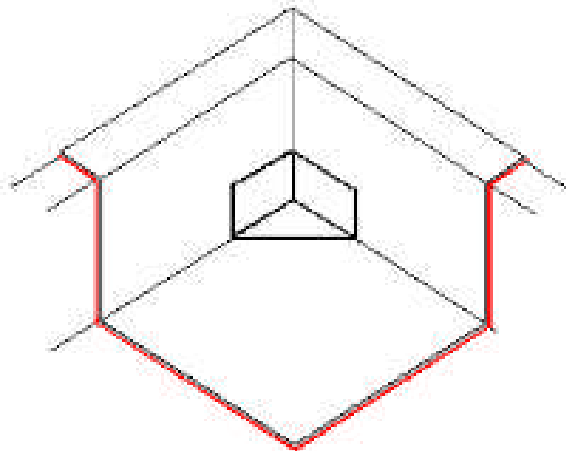
# MASTER-SEAL ROOFING SYSTEM

## INSTALLATION SPECIFICATIONS

### EXTERIOR AND INTERIOR CORNERS



INSTALL EXTRA  
MESH STRIP



CONCRETE SURFACE

APPROVED BY:  
FELIX ALBERT, P.E.

DRAWING NO.  
MS ID-05

DATE:  
APRIL 2005



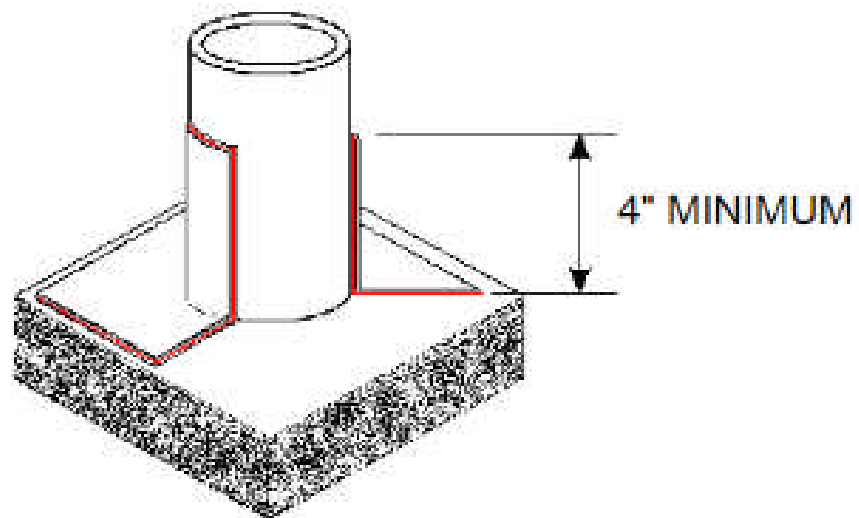
INDUSTRIAL ROOFING, INC.  
19TH ST. PALMAS IND. PARK  
CATANO, PR 00962  
(787) 788-6940

# MASTER-SEAL ROOFING SYSTEM


## INSTALLATION SPECIFICATIONS

### VENT PIPES

### ROOF PENETRATIONS



CONCRETE SURFACE

APPROVED BY: FELIX ALBERT, P.E.	
DRAWING NO. MS ID-06	DATE: APRIL 2006
	INDUSTRIAL ROOFING, INC. 19TH ST. PALMAS IND. PARK CATANO, PR 00962 (787) 788-6940